

Shaped Trailers

Range of customizable and safe trailers for **EffiBOT**





Shape Trailers

Shape Trailers is a range of trailers for the **EffiBOT** robot.

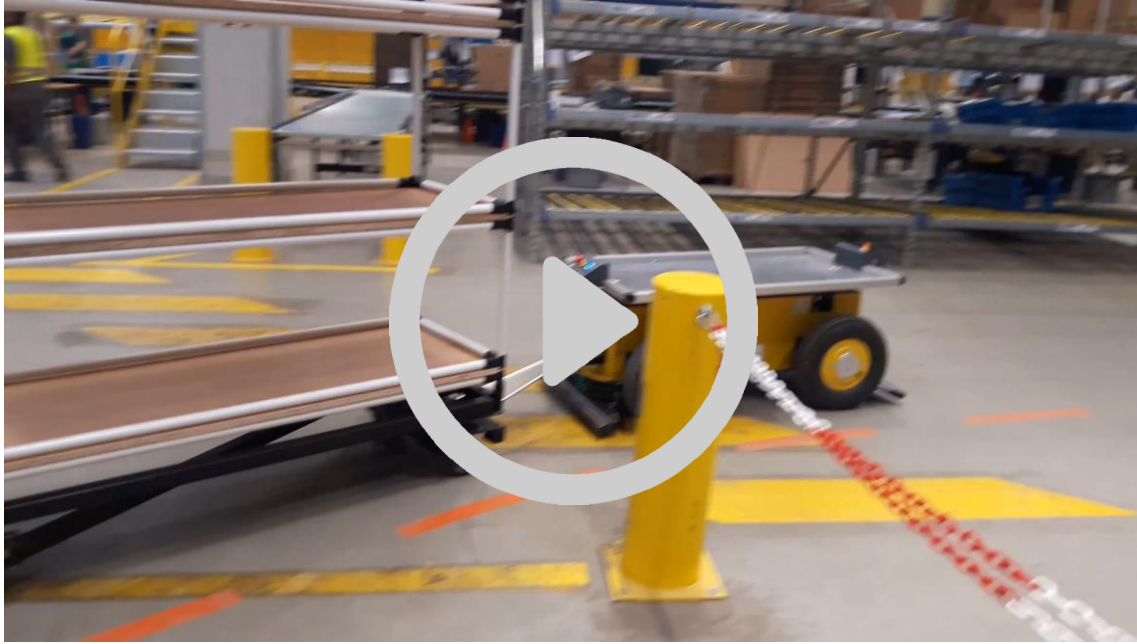
These trailers are designed to provide reliable and accurate tracking of the trajectory of the **EffiBOT** tractor (**single-track trailer**).

Like **EffiBOT**, **Shape Trailers** stands out for its flexibility and customer adaptability: customize the volume, shape and number of floors to suit your needs.

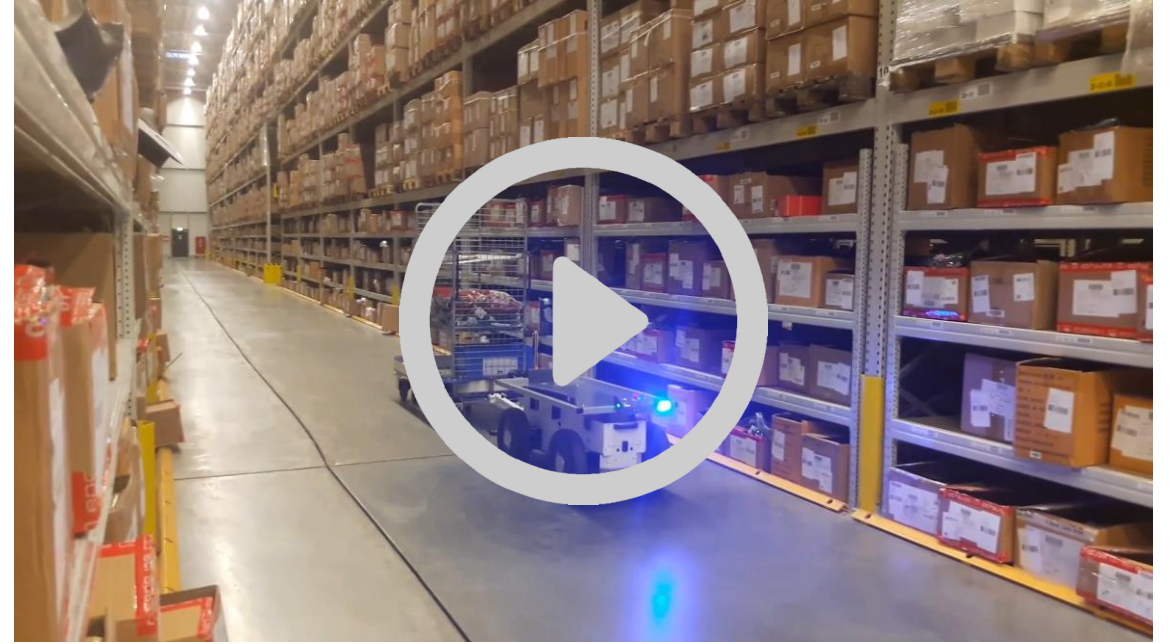
Follow-me 360° technology is available with this configuration, in forward direction only.



Usage



Autonomous mode
<https://youtu.be/YmaoH-gyPXk>



Autonomous mode
<https://youtu.be/nCAYeES8nhU>





Follow-me mode

https://youtu.be/OX_yx1J7 Js





Usage



Roll installation

<https://youtu.be/p7KSeqQa4-s>



Roll receiving

<https://youtu.be/zYHKgExinjc>



Usage

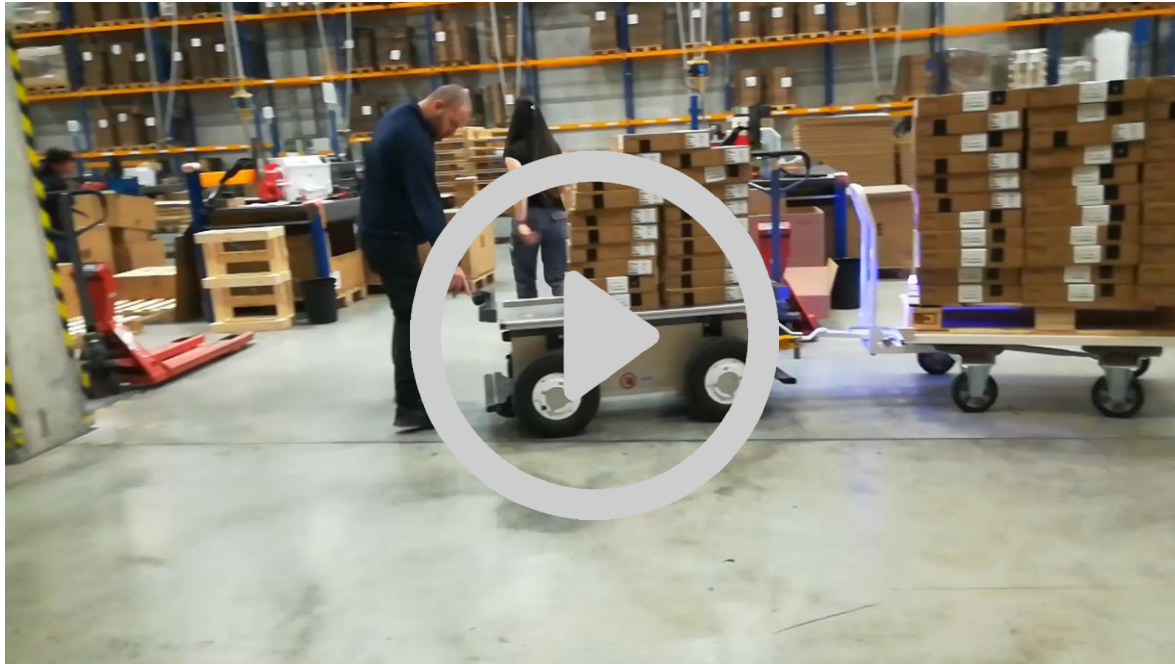


Trailer loading

<https://youtu.be/qyZBDKYMEs0>



Usage



Adaptation to its surrounding
<https://youtu.be/EHNCqK188KI>



Maniability
<https://youtu.be/R3s2dGQej0s>

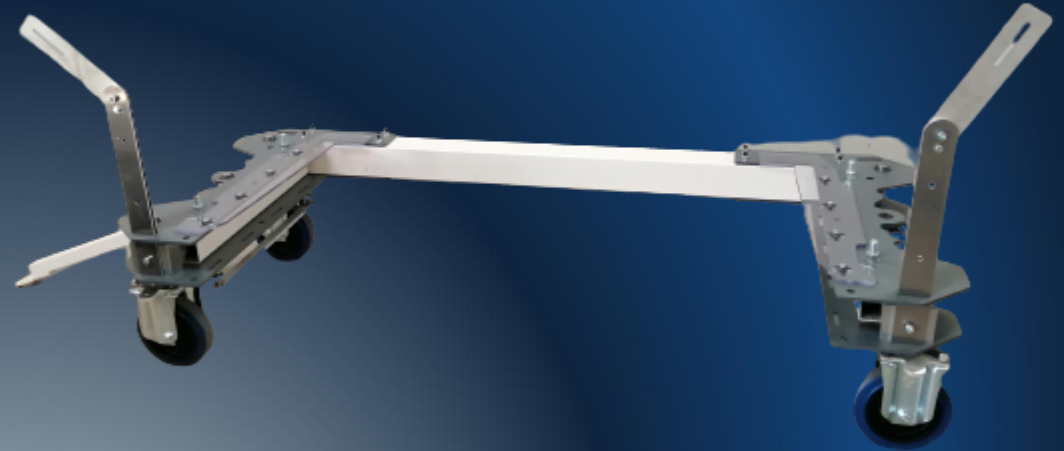




Range of trailers



FlatShape



C-Shape



FlatShape

Single-track trailer with customizable platform



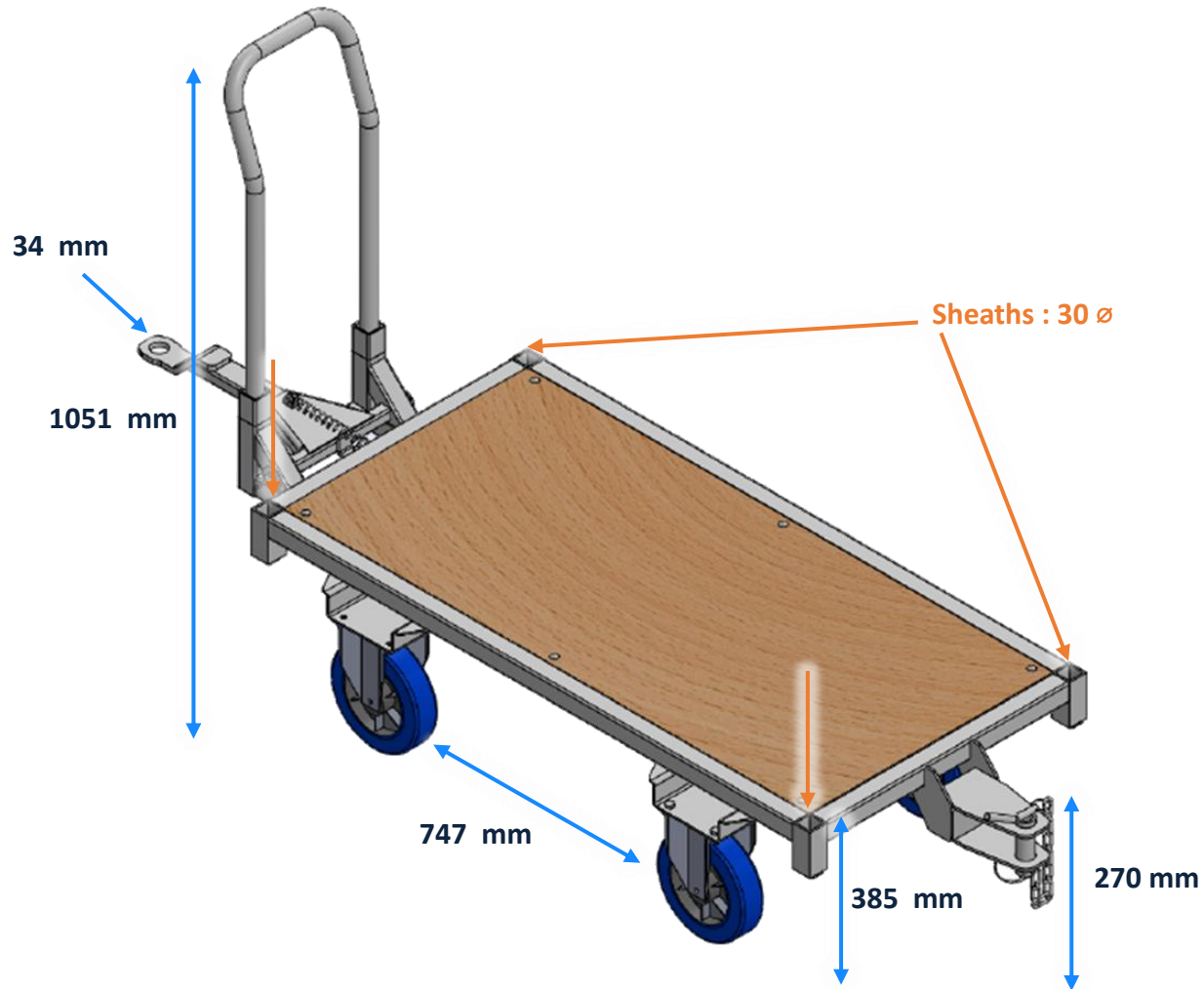
FlatShape is a single-track trailer with a customizable platform.

Cinematics:

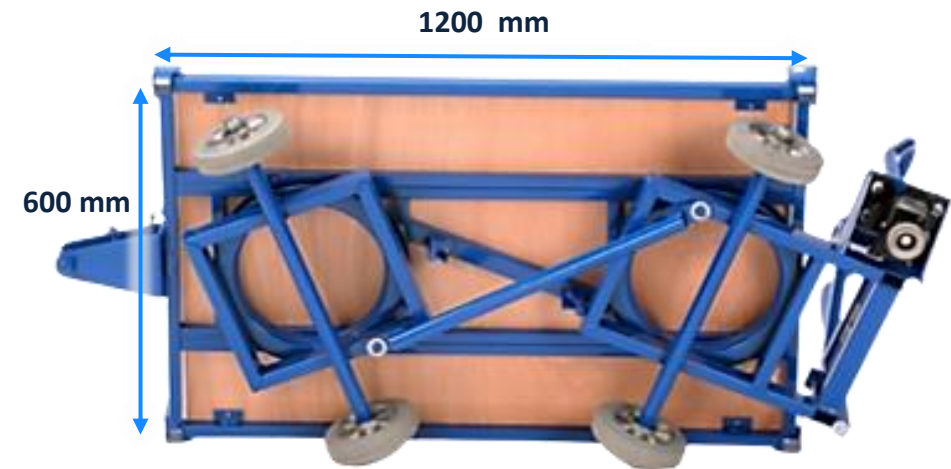
- 2 steering axles
- Fixed wheels, **200 mm** diameter.
- Turning radius : **1,2 m**.
- Speed : **1,7m/s**.

To know: Reverse gear is not available with a single-track trailer.





- Loading surface : **1200 mm x 600 mm**
- Weight of the empty trailer : **90 kg**
- Maximum charge : **400 kg**
- **Design an upper structure and insert it into the 4 sleeves of the trailer.**



✓ *Other possible configurations.*



C-Shape

Single-track trailer to transport rolls





C-Shape



C-Shape is a single-track trailer for roll transport.

This trailer is designed in a C-shape, which allows it to accommodate a roll to move it.

The roll is held inside the trailer by a double lock.

Cinematics:

- 4-wheel steering
- Turning radius : **1,3 m.**
- Speed : **1,7m/s.**

To know: Reverse gear is not available with a single-track trailer.





C-Shape

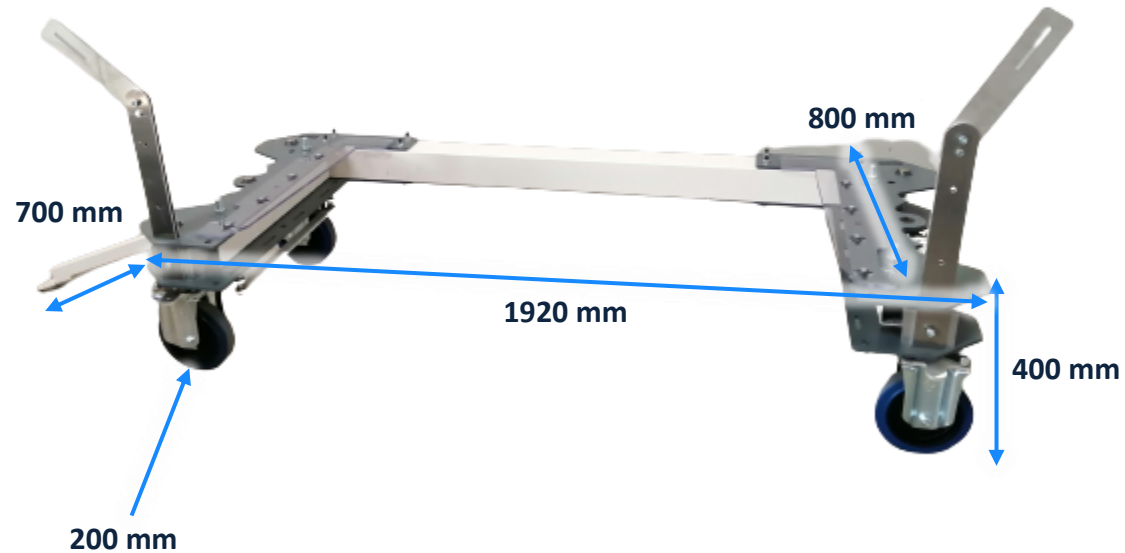


C-Shape :

- Weight of the empty trailer : **100 kg**

Standard Roll :

- Max. load: up to **300 kg**
- Weight of the empty roll: **80 kg**
- Crazy wheels.





Single-track feature

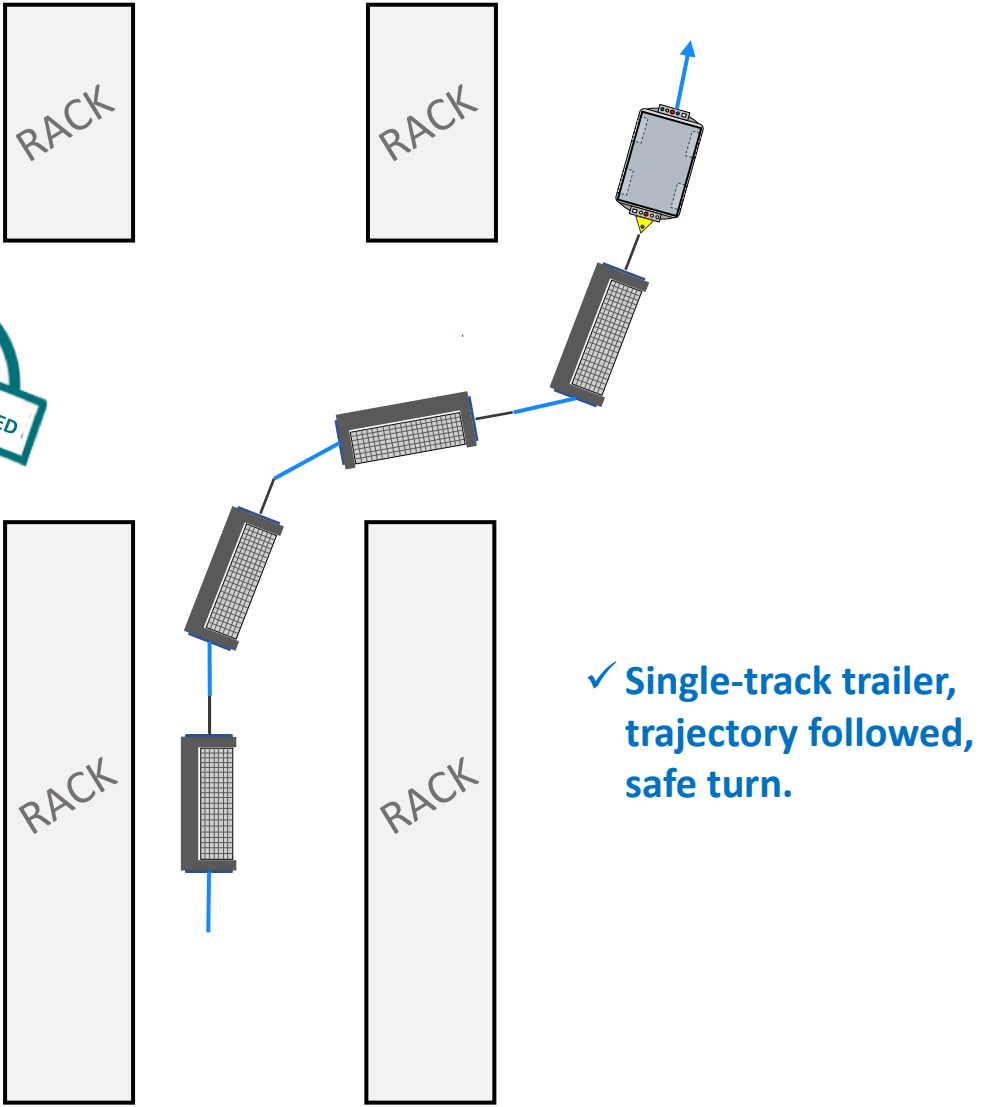
Our range of trailers is optimized for **EffiBOT** right from the design stage.

The **single-track** feature allows a trailer to follow the trajectory of **EffiBOT** perfectly, especially when cornering.

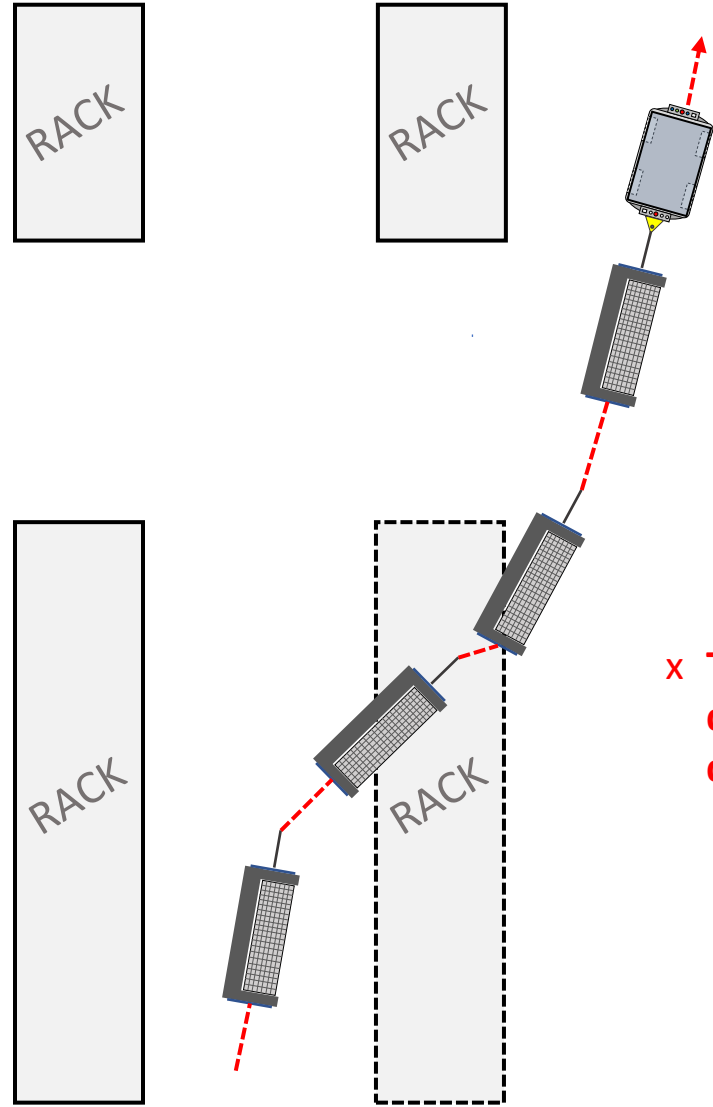




Single-track feature



✓ Single-track trailer,
trajectory followed,
safe turn.



✗ Traditional trailer,
deviated trajectory,
dangerous turn.





Installation

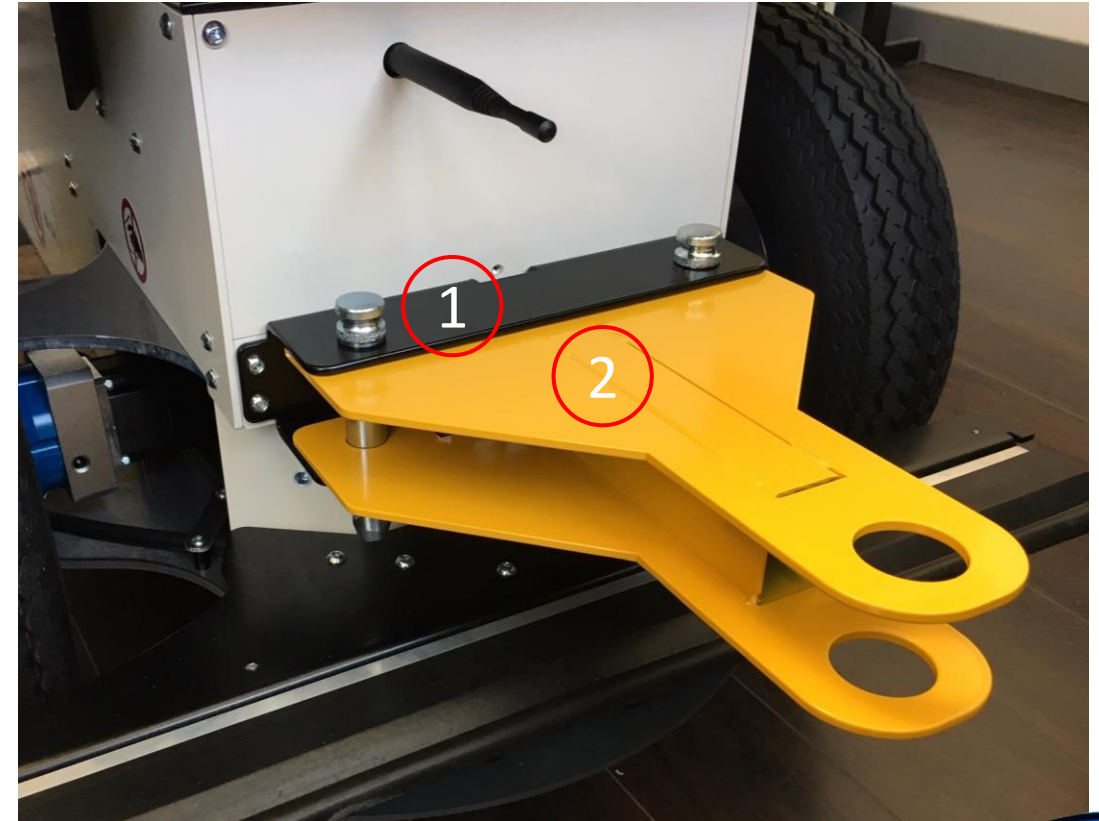
You must be equipped with an **EffiBOT** with the towing option (**black docking base (1)**), in which the **yellow towing bracket (2)** is fixed.

Choose your **Shaped Trailers** configuration :

- **FlatShape**
 - Loading area
 - Number of floors
- **C-Shape**
 - Size of your roll

The drawbar of the trailer must be manually hooked into the **towing bracket** .

Benefit from the loading volume of our **EffiBOT** and that of the customized trailer.





Effidence

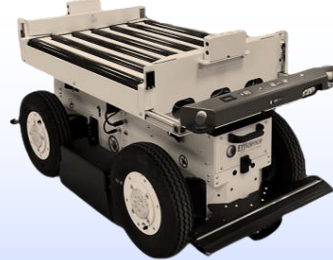
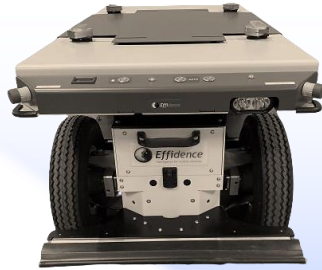
Intelligence for mobile robotics

www.effidence.com

23 Rue de la Roseraie, 63540
Romagnat

+33 (0)4 73 25 15 26

sales@effidence.com



Shaped Trailers

